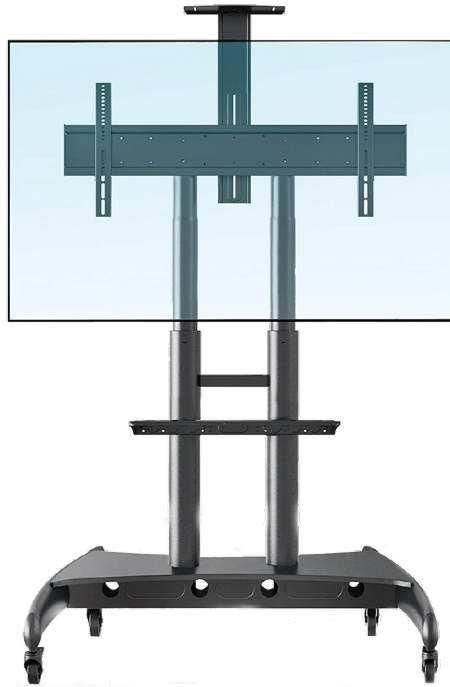


Ergonomic Interactive Mobile Cart

Item# AVA1800-70-1P v.2



Model : AVA1800-70-1P v.2	Color: Black	Carton Size: 636 x 1079 x 156mm
Screen Size: 55"-80"	Upright Distance: 12" (300mm)	Carton Pack: 1
Capacity: 200 lbs	Height Adjustment: 53"-65"	Carton Gross Weight: 68.3 lbs
Material Built: SPCC Seamless Tube	Shelf Dimension: 19.68" - 10.2"	20 GP Quantity: 275
Tilt Angle: 0°	VESA Range: 200 x 200 - 800 x 500mm	40 HQ Quantity: 627
Base Structure: Modular		

